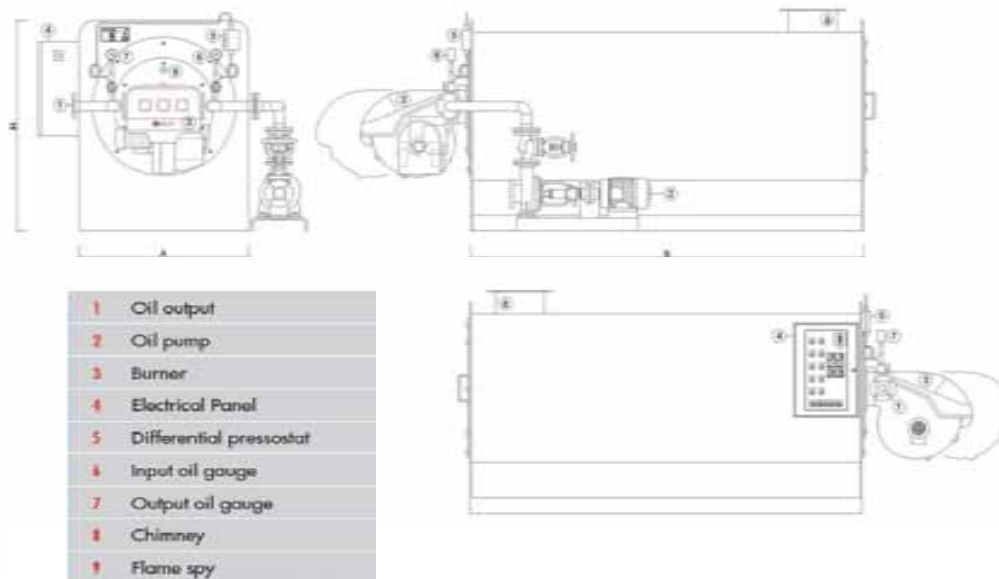


'Economical & High Quality'



"HORIZONTAL" TEKNIK MODEL - Main Data																	
Heat Capacity / Output	[Mcal/h]	100	200	300	400	500	600	700	800	1000	1200	1500	1800	2000	2500	3000	4000
	[kW]	116	233	349	465	582	698	816	930	1163	1396	1744	2098	2326	2915	3489	4664
FLOW @ Δt=40K	[m³/h]	5	10	15	20	25	30	35	40	50	60	75	90	100	125	150	200
PRESSURE / PUMP	[bar]	3,5	5	5	5	5	5	5	5	5	5	5	5	5	5	5	5
Δp / HEATER	[bar]	1,5	1,5	1,5	1,5	1,5	1,5	1,5	1,5	1,5	1,5	1,5	2	2	2	2	2
FLANGE	[DN]	25	32	32	40	50	50	50	65	65	80	80	100	100	100	125	150
LENGHT B (EX. BURNER)	[mm]	1200	1300	1600	2000	2500	2400	2600	2700	3000	3200	3600	3700	4000	4100	4300	4800
WIDTH A	'[mm]	800	1100	1100	1100	1100	1100	1200	1300	1400	1400	1500	1600	1600	1800	1900	2200
HEIGHT H	[mm]	950	1350	1350	1350	1350	1350	1600	1500	1650	1650	1750	1850	1850	1960	2150	2300
FLUE GAS OUTLET Ø	'[mm]	160	200	200	300	300	300	350	350	350	350	450	450	450	550	550	600
WEIGHT (EMPTY)	[kg]	800	1000	1200	1350	1450	1800	2100	2300	2550	2900	3300	3600	3800	4500	5000	5600
TEMPERATURES	Normal outgoing temperature of the thermal fluid from the heaters is max. 280°C. Standard design is the fluid returning 40°C lower (Δt=40K)																
PRESSURE IN SYSTEM	The system is considered as an open and atmospheric and without any pressure exposed to the expansion tank.																
THERMAL FLUID	The thermal fluid (heat transfer fluid / HTF) should preferable be of the brand ABCO NF or an equal non-fouling, non-toxid fluid type.																
APPROVAL / CERTIFICATE	The heaters design follow DIN 4754 and is thus designed for 10 bar. PED 2014/68/EU applies for these heaters and is approved accordingly with CE-mark																

The above data are based on the economical standard TEKNIK model. Other customised models in special designs are available at: www.thermal-oil-heater.eu

Disclaimer : The above data are subject to changes without any notice and are for guidance only, without any responsibility to AB&CO