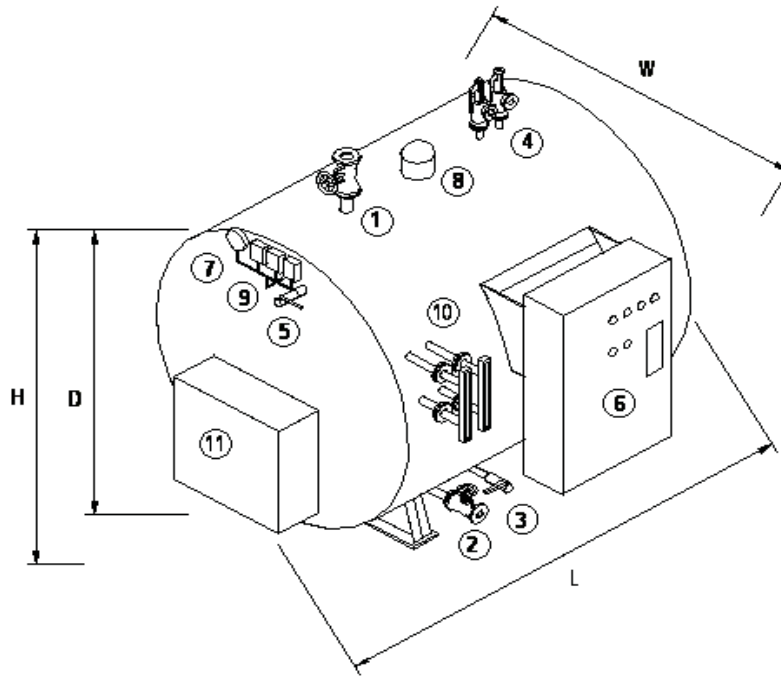


# AB&Co



TT BOILERS ELECTRIC STEAM BOILER			type DH2									
			195	234	273	312	351	390	429	468	507	585
Nominal Output ( = Consumed Power)	kW		195	234	273	312	351	390	429	468	507	585
Current at 3 x 400 V	A		281	338	394	450	507	562	619	675	732	844
Steam Capacity at 6 bar and Feed Water Temperature 20°C	kg/h		255	305	355	405	455	510	560	610	660	785
Steam Capacity at 6 bar and Feed Water Temperature 90°C			285	340	400	455	515	570	630	685	740	885
Total Volume	L		400				560				745	
Weight - Empty	kg		500				670				730	
Weight - Service	kg		900				1230				1475	
Diameter	D	mm	800				900				1000	
Width	W	mm	1160				1260				1360	
Length	L	mm	2050				2100				2150	
Height	H	mm	1250				1350				1450	
Connection - Low Pressure Steam	DN	mm	50			65		80				
Design Pressure 1 bar gauge		-	2"			2 1/2"		3"				
Connection - High Pressure Steam	DN	mm	25	32		40			50			
Design Pressure 6 bar gauge		-	1"	5/4"		1 1/2"			2"			
Connection - High Pressure Steam	DN	mm	25			32			40			
Design Pressure 10 bar gauge		-	1"			5/4"			1 1/2"			